

VERMEND RAT BLOCKER®



Contact information
Vermend LLP
ratblocker@vermend.co.uk
www.vermend.co.uk
Tel: 020 8728 2160

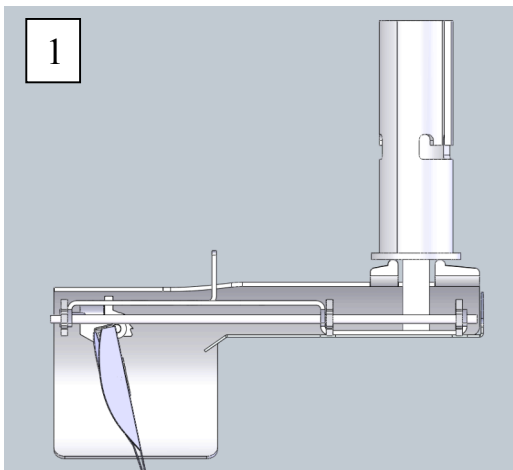
Installation manual



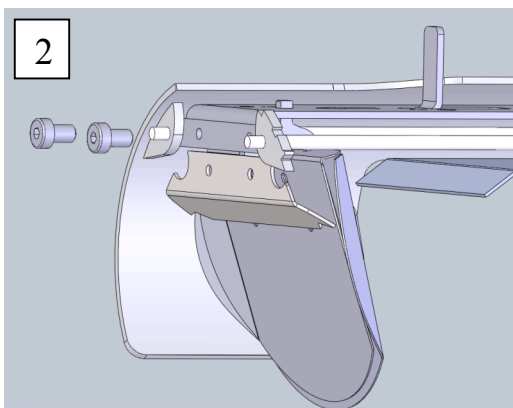
IMPORTANT!!

When the rat blocker is mounted in the pipe coming directly from the house it is recommended to mount the enclosed cover plate as shown in Fig. 1, as it protects the gates against blockage from paper etc., especially if the pipes are at a steep angle.

If the rat blocker is mounted on the main drain side the cover plate should **NOT** be mounted.

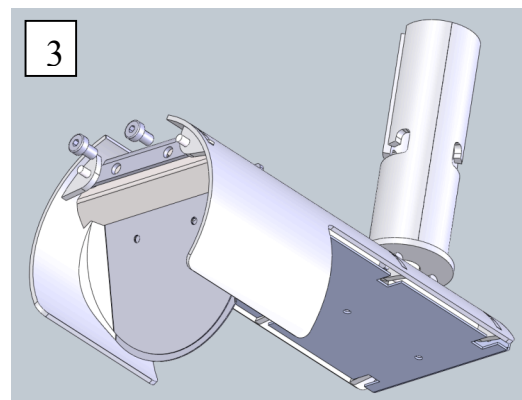
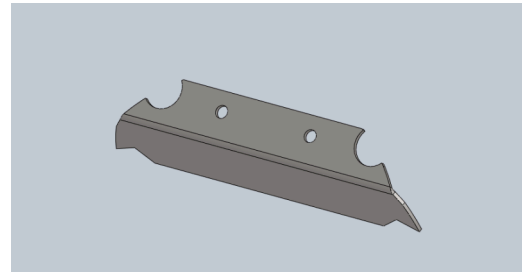


Begin by mounting and tighten the plates in position 1.

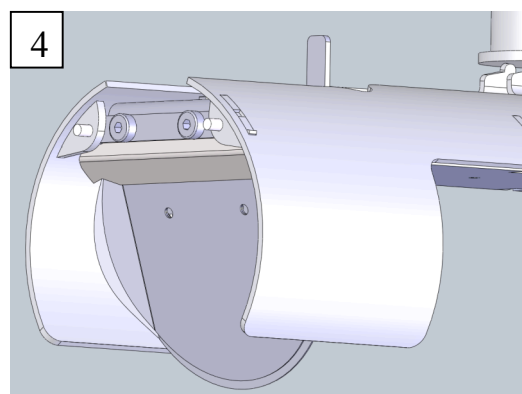


The cover plate is placed between the plates and the front of the bended edge of the rat blocker.

Fig. 1
Cover plate



Tighten the cover plate with the two enclosed umbraco bolts M5x8



The rat blocker is now ready to be installed in the pipe coming directly from the house. **Remember**, the cover plate may only be mounted when it is placed in this direction. It **CANNOT** be mounted when the Rat Blocker is mounted in the other (Main drain) side.